

THERMAL STORAGE VESSELS



STEEL BUFFER VESSELS

CA-HVAC Buffer Vessels



Chilled water systems require a certain amount of storage capacity in the system to reduce the workload of the chiller unit. The technical team at CA-HVAC can help you size and select the buffer vessel you require, so please contact our sales and technical office for further information. CA-HVAC manufacture the 'BU' range of buffer vessels from capacities of 100 litre up to 20,000 litres capacity using the following standard materials:

- Copper
- Carbon Steel
- Copper-Lined Steel
- Glass-Lined Steel
- Stainless Steel

CA-HVAC also manufacture buffer vessels for use as direct cylinders to store water from separate heat sources such as heat pumps, plate heat exchangers (also available from CA-HVAC) and many others. These are specially designed with sparges and baffles to ensure correct operation.

Thermal Insulation Options

- ✓ **Type MA** Consists of 50mm mineral wool with dimpled aluminium cladding. This gives good thermal insulation and a quality finish. The insulation is then given a vapour seal to act as a thermal barrier against condensation.

For some installations there will be a high risk of damage to the factory fitted insulation. In these instances it is preferable to insulate on site.

Standards

- ✓ **CA-HVAC Commercial Standard** A CA-HVAC Commercial Standard calorifier is designed for minimum cost without loss of performance or reliability, based on many years' experience of calorifier design and construction.
- ✓ **BS853** For customers who require a calorifier constructed to an internationally recognised standard. CA-HVAC Building Supplies will produce calorifiers to BS853 if required, both BS853 Part 1 & BS853 Part 2. There is scope within BS853 for 3rd party verification of design and construction. This adds to cost and delivery time, but can be arranged if required.
- ✓ **PD5500** For very high working pressures CA-HVAC Building Supplies can design and build calorifiers to PD5500. However BS853 now includes higher pressures so not often necessary to resort to BS5500.
- ✓ **Other Standards** CA-HVAC Building Supplies will consider production of calorifiers to other standards. Please contact us with details.

All our buffer vessels comply fully with the European Pressure Equipment Directive 97/23/EC



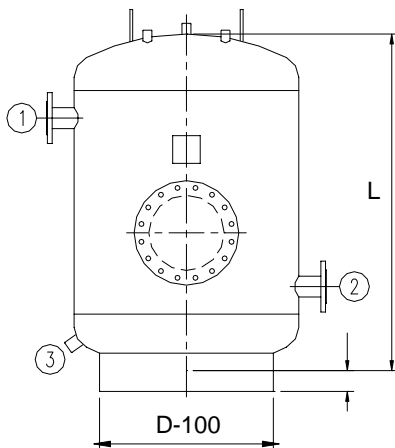
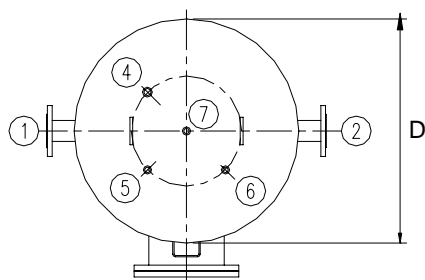
W A T E R H E A T I N G M A D E E A S Y

Connections		
Ref	Description	Size
1	Inlet	Varies
2	Outlet	Varies
3	Drain	Varies
4	Safety Valve	3/4"
5	Pressure Gauge	3/8"
6	Thermometer	1/2"
7	Vent	1/2"

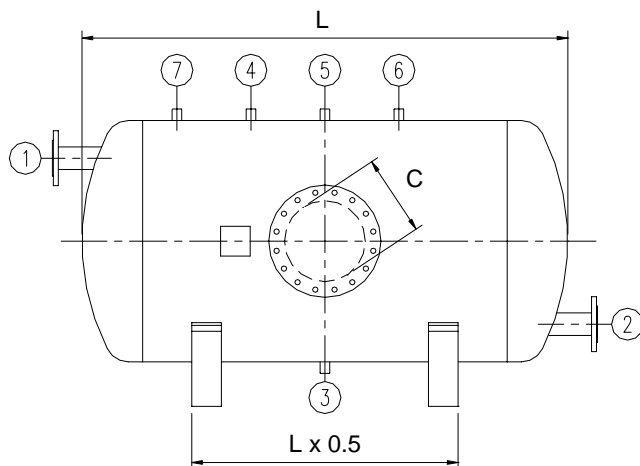
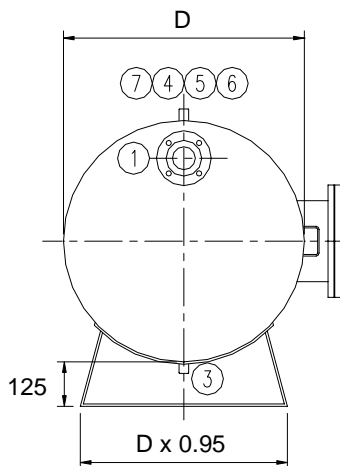
Notes:

Connections in these cells are flanged, otherwise connections are screwed

Capacity Litres	D mm	H/L mm	Main Connections		
			1	2	3
230	500	1270	2"	2"	3/4"
300	600	1200	2"	2"	3/4"
360	600	1372	2"	2"	3/4"
400	600	1541	2"	2"	3/4"
450	600	1743	2"	2"	3/4"
500	700	1475	2"	2"	3/4"
550	700	1587	2"	2"	3/4"
600	700	1700	2"	2"	3/4"
700	700	2000	2"	2"	3/4"
800	800	1956	65	65	3/4"
900	900	1685	100	100	3/4"
1000	900	1750	100	100	1"
1200	900	2085	100	100	1"
1500	1050	1956	100	100	1"
1750	1050	2172	100	100	1"
2000	1050	2388	100	100	1 1/2"
2250	1220	2133	150	150	1 1/2"
2500	1220	2388	150	150	1 1/2"
3000	1220	2845	150	150	1 1/2"
3500	1350	2750	150	150	1 1/2"
4000	1350	3080	150	150	1 1/2"
4500	1500	2770	150	150	1 1/2"
5000	1500	3050	150	150	2"
5500	1500	3305	150	150	2"
6000	1600	3300	200	200	2"
7000	1600	3302	200	200	2"
8000	1600	3900	200	200	2"
9000	1800	3950	200	200	2"
10,000	2000	3550	200	200	2"



Vertical Orientation



Horizontal Orientation