

CARBON STEEL BUFFER TANKS

FOR STORAGE PURPOSES in

- Closed Circuit Heating & Cooling Applications
- Heat Pumps & Solar Panels

ENERGY SAVING – High Performance Insulation Guaranteed with 80mm Rigid Polyurethane CFC Free Foam $0.025 \text{ W/M}^2 \text{ }^\circ\text{K}$

RANGE OF SIZES - Wide Range of Storage Units

OPTIONS – Battery Coils & Immersion Heaters can be Fitted



BUFFER VESSELS Small Series

Buffer tanks with capacities ranging from 50 - 1000 litres suitable for closed circuit heating and or cooling in Carbon Steel.

- 50 - 80 litre models suitable for wall mounting
- models 140 - 1000 litre floor standing
- Models 800 - 1000 litre have removable insulation sections to pass through 800mm door openings
- Thermal insulation in rigid mould-injected CFC-free polyurethane foam with removable padded casings in RAL 5015 blue and RAL 7021 grey colours
- Connections for electric immersion heaters

BUFFER VESSELS Large Series

- Large capacity tanks 1500, 2000, 2500, 3000, 3500, 4000 and 5000 litre for heating and cooling storage
- High performance thermal insulation, 80mm thick in rigid mould-injected CFC-free polyurethane foam

OPTIONS

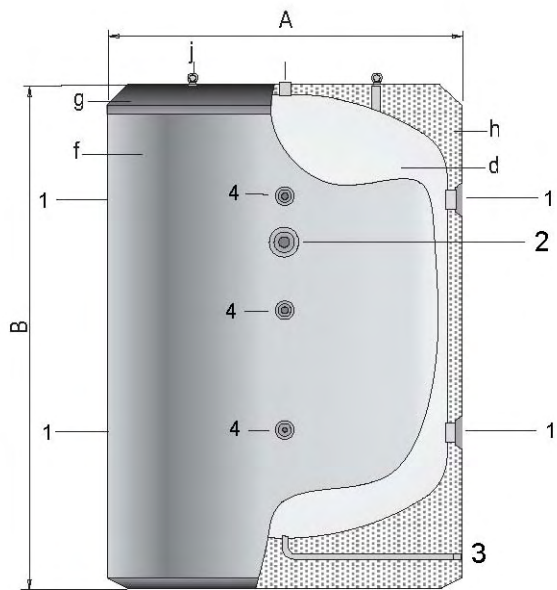
- M1 Class and outdoor type jackets available (Waterproof and Fireproof)
- DN400 inspection openings (800mm and larger)
- Cathodic protection - magnesium and titanium anodes (permanent protection)

Technical Characteristics

- Maximum DHW temperature 100°C
- Maximum working pressure 6 bar

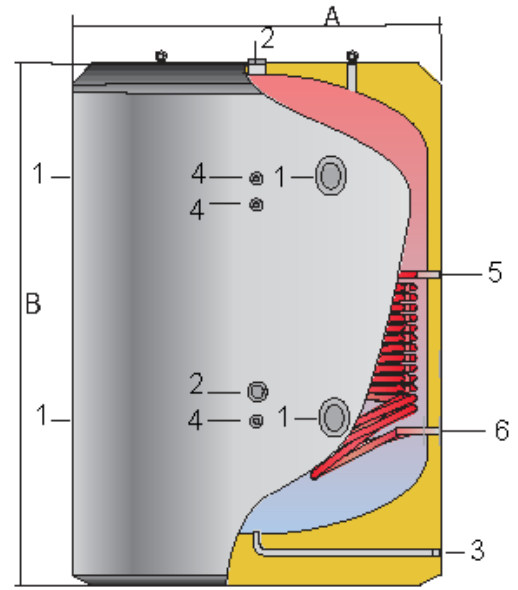
Range of Standard Carbon Steel Buffer Vessels

Including Immersion Heaters & Battery Coils



Thermal Storage Tank

- d - Storage tank
- f - External lining (optional)
- g - Top cover (optional)
- h - Thermal insulation
- j - Removable eyebolt for transport



Thermal Storage Tank with Coil

Thermal Storage Vessels CA-CS1500 ~ CA-CS5000

Technical Characteristics		CA-CS 1500	CA-CS 2000	CA-CS 2500	CA-CS 3000	CA-CS 3500	CA-CS 4000	CA-CS 5000
Total Capacity	Litres	1500	2000	2500	3000	3500	4000	5000
Temperature loss	°C/h	0.12	0.10	0.09	0.08	0.07	0.07	0.06
Empty weight	Kg	322	381	538	597	652	690	784
Primary Flow/Return: (4no)	1	4	4	4	4	4	4	4
Connections: (1no)	2	2	2	2	2	2	2	2
Drain:	3	1¼	1¼	1¼	1¼	1¼	1¼	1¼
Sensor Connection: (3no)	4	½	½	½	½	½	½	½
Dimension A: External Diam.	mm	1360	1360	1660	1660	1660	1910	1910
Dimension B: Overall Height	mm	1850	2300	2035	2325	2610	2345	2750

Buffer Tanks suitable for Closed Circuit Storage

with • Heat Pumps • Solar Panels • Wood Pellets • Wood Chip Boilers

Thermal Storage Vessels with Coils CA-CS1500C ~ CA-CS5000C

Technical Characteristics		CA-CS 1500C	CA-CS 2000C	CA-CS 2500C	CA-CS 3000C	CA-CS 3500C	CA-CS 4000C	CA-CS 5000C
Total Capacity	Litres	1500	2000	2500	3000	3500	4000	5000
Temperature loss	°C/h	0.12	0.10	0.09	0.08	0.07	0.07	0.06
Heat Exch. surface	m ²	3.1	3.1	5.7	5.7	6.1	6.1	6.1
Empty weight	Kg	322	381	538	597	652	690	784
Empty weight (with coils)	Kg	375	435	644	704	762	942	1052
Connection: (4no)	1	4	4	4	4	4	4	4
Connection: (1no)	2	2	2	2	2	2	2	2
Drain:	3	1¼	1¼	1¼	1¼	1¼	1¼	1¼
Sensor Connection: (3no)	4	½	½	½	½	½	½	½
Primary Flow/Return	5&6	1	1	1	1	1	1	1
Anode (where fitted):	"	1½	1½	1½	1½	1½	1½	1½
Dimension A: External Diam.	mm	1360	1360	1660	1660	1660	1910	1910
Dimension B: Overall Height	mm	1830	2280	2015	2305	2580	2310	2710