

Stainless Steel Calorifiers



DHW Tanks made in AISI 316L STAINLESS STEEL or VITRIFIED STEEL

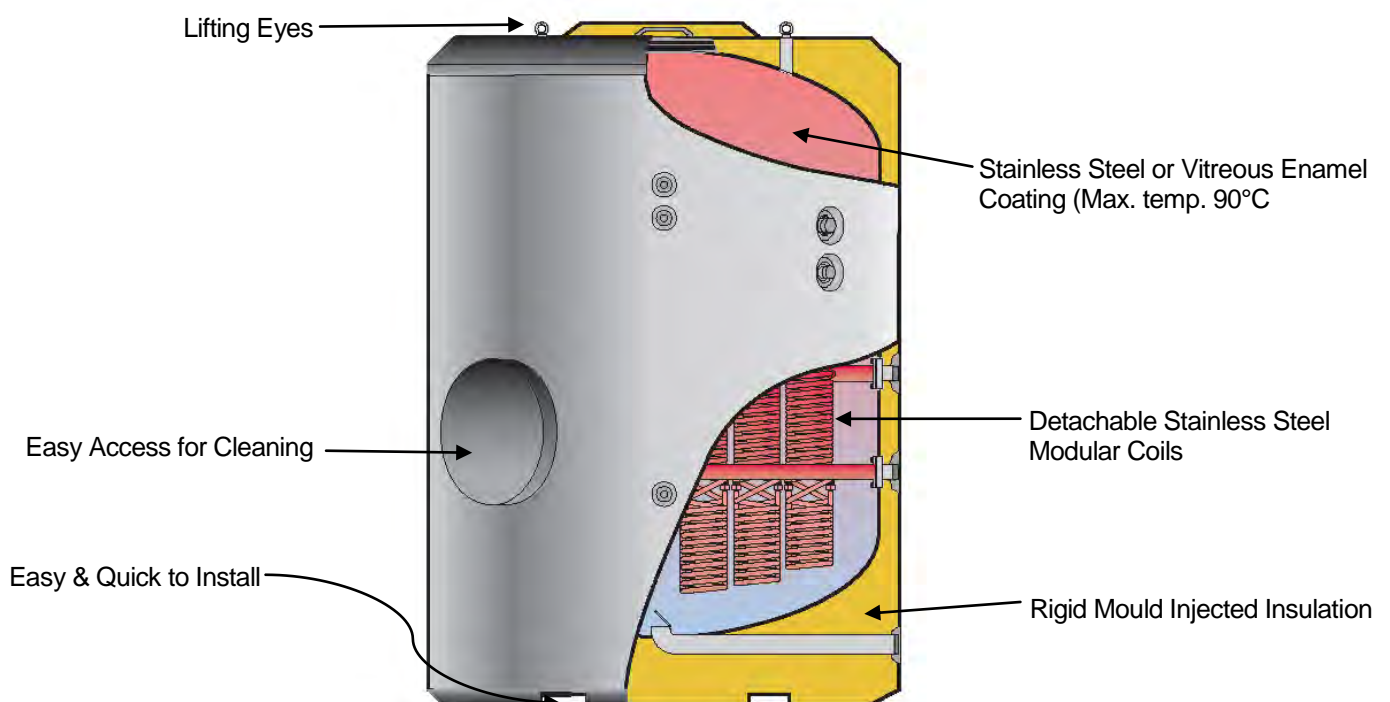
- Austenitic 316 L Stainless Steel provides additional protection
- Vitrified according to DIN 4753

ENERGY SAVING – high performance insulation guaranteed with 80mm rigid polyurethane CFC free foam $0.025 \text{ w/m}^2 \text{ }^\circ\text{k}$

VITRIFICATION – is the only coating known that guarantees total impermeability avoiding corrosion and degradation

DETACHABLE STAINLESS STEEL MODULAR COILS – these coils reach the bottom of the tank for best antilegionella performance

Principal Features:



CA-HVAC Large Capacity Calorifiers

Stainless Steel & Vitrified Steel Tanks for the Production Domestic Hot Water (DHW)

DHW Tank Capacities: 1500, 2000, 2500, 3000, 3500, 4000 & 5000 litres

- **Models CA-SS – SB/SSB:** AISI 316L (Pickled and Chemically Passivated)
- **Models CA-VS – SB/SSB:** VITRIFIED STEEL (with cathodic protection incl. meter)

SB & SSB Models

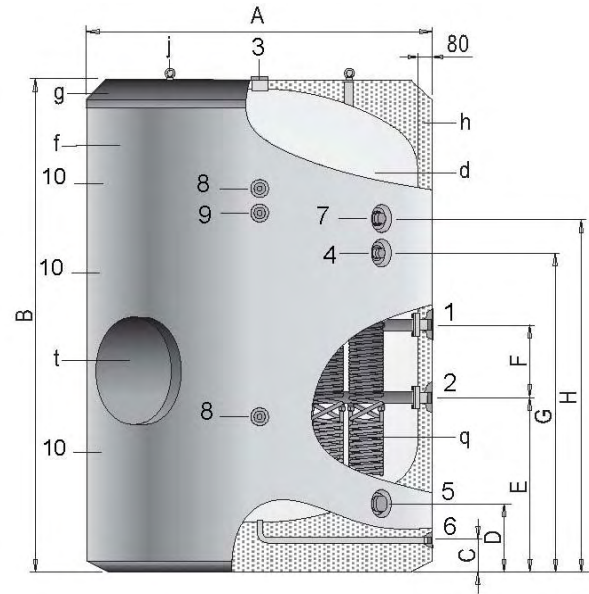
Tanks with coils as thermal exchangers for DHW production
 Detachable stainless steel modular coils
 Coils reach bottom of tank – good performance against Legionella

Options:

Immersion Heaters – In Incoloy 825 (6 kW to 168 kW)
 Finish – Padded lining suitable for internal & external usage
 Cathodic Protection – Magnesium anodes & Titanium anodes (permanent protection)

Tank Notes:

- d DHW storage tank
- f External lining (Optional)
- g Top cover (Optional)
- h Thermal insulation
- j Removable eye bolts
- q Removable coils
- t DN400 Inspection opening



(Tanks 1500 to 5000 litre)

Technical Characteristics		CA-SS	CA-VS	1500	2000	2500	3000	3500	4000	5000
DHW Capacity	Litres	x	x	1500	2000	2500	3000	3500	4000	5000
Max. Temp. in DHW tank	°C			90	90	90	90	90	90	90
Max. Pressure of DHW tank	bar	x	x	8	8	8	8	8	8	8
Max. Temp. in Coil	°C	x		120	120	120	120	120	120	120
Max. Pressure in Coil	bar	x	x	25	25	25	25	25	25	25
Number of Coils: – SB	units	x		4	4	6	6	7	8	10
Number of Coils: – SSB	units		x	6	6	8	10	10	10	12
Coil Capacities: – SB	Litres	x		12.7	15.1	18.9	22.7	26.6	30.2	37.6
Coil Capacities: – SSB	Litres		x	18.9	22.5	30.2	37.6	37.6	37.6	45.0
Heat Exch. surface in SB Coil	m ²	x		2.8	3.4	4.2	5.0	5.9	6.7	8.3
Heat Exch. surface in SSB Coil	m ²		x	4.2	5.0	6.7	8.4	8.4	8.4	12.0
Empty weight..SB	Kg	x		300	345	485	525	570	655	735
Empty weightSSB	Kg		x	315	360	515	550	585	670	750
Inspection Opening	DN	x	x	400	400	400	400	400	400	400
Primary Inlet: 1	"	x	x	2	2	2	2	2	2	2
Primary Outlet: 2	"	x	x	2	2	2	2	2	2	2
Secondary Flow: 3	"	x	x	2	2	3	3	3	3	3
Secondary Return: 4	"	x	x	1½	1½	1½	1½	1½	1½	1½
Cold Feed: 5	"	x	x	2	2	3	3	3	3	3
Drain: 6	"	x	x	1	1	1	1	1	1	1
Anode (where fitted): 10	"	x	x	1½	1½	1½	1½	1½	1½	1½
Dimension A: External Diam.	mm	x	x	1360	1360	1660	1660	1660	1910	1910
Dimension B: Overall Height	mm	x	x	1850	2300	2035	2325	2610	2345	2750
Dimension C:	mm	x	x	175	175	175	175	175	175	175
Dimension D:	mm	x	x	315	315	350	350	350	375	375
Dimension E:	mm	x	x	825	825	910	910	910	960	960
Dimension F:	mm	x	x	250	400	400	400	400	400	400
Dimension G:	mm	x	x	1020	1470	1120	1410	1695	1355	1760
Dimension H:	mm	x	x	1210	1660	1310	1600	1885	1545	1950

For other Sizes, Duties & Pressures contact our Sales/Technical Office: 020 8789 9100