

Brazed Plate Heat Exchangers



The CA-HVAC Copper Brazed plate heat exchangers consist of thin corrugated AISI 316L stainless steel brazed together with copper or nickel in a furnace. When assembling the plates every second plate is turned at 180° in the plane. The innovative counter flow design provides improved thermal efficiency resulting in energy and cost savings.

This range of brazed plate heat exchangers has many advantages over traditional plate heat exchangers. The exceptional heat transfer efficiency makes CA-HVAC plates very compact and ideal for demanding installations where space is at a premium.

The brazed construction does away with gaskets making CA-HVAC units ideal in applications where temperatures and or pressures are very high. Suitable applications include district heating, a wide range of heating, cooling and domestic hot water (DHW) production.

MATERIALS

Plates	Stainless Steel 1.4401 AISI 316
Solder	Copper 99.99% or Nickel

PERFORMANCE

Min/Max Operating Temps.	-196/+225°C
Max Operating Pressure	45 bar

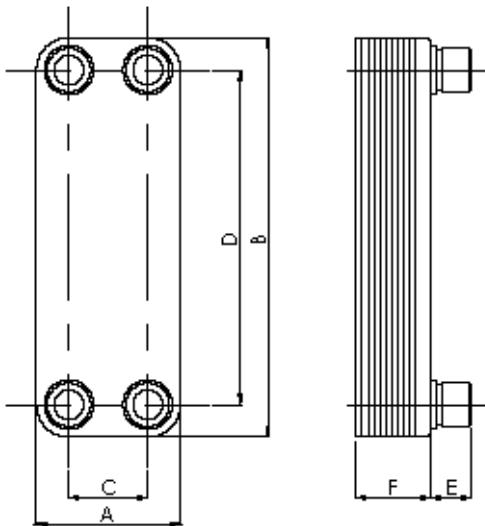
Other Products in our Range include:

- Gasketed Plate Heat Exchangers
- Calorifiers
- Thermal Storage Vessels
- Expansion Vessels & Accessories
- Boiler House Products

Brazed Plate Heat Exchangers

Plate Performances

Max. Operating Pressure (bar)	Models	°C
22	TS F28	-196/+225
25	TS F427	-196/+225
27	TS F16, TS F35, TS F50, & TS F56	-196/+225
36	TS F08	-196/+225
42	TS F05, TS F10T, TS F15 & TS F25T	-196/+225
44	TS F12	-196/+225
45	TS F120T	-196/+225



Connection Sizes

Model	Threaded (ISO G) x E	Model	Threaded (ISO G) x E
TS F05T	¾" x 20	TS F28	1¼" x 27
TS F08T	¾" x 20	TS F35	2" x 54
TS F10T	1" x 45	TS F50	2½" x 54
TS F12	1¼" x 27	TS F56	2½" x 54
TS F15	¾" x 20	TS F120T	2" x 54
TS F16	1¼" x 45	TS F27	4" x 54
TS F25T	1" x 45		

Model	A (mm)	B (mm)	C (mm)	D (mm)	F (mm)	Volume Primary Flow(L)	Volume Secondary (L)	Net Weight (Kg)
TS F05T	72	187	40	154	4.3 + (2.24 x Np)	0.025 x (Np/2-1)	0.025 x (Np/2-1)	0.6 + (0.044 x Np)
TS F08T	72	310	40	278	4.3 + (2.24 x Np)	0.042 x (Np/2-1)	0.042 x (Np/2-1)	0.9 + (0.070 x Np)
TS F10T	119	289	72	243	4.0 + (2.24 x Np)	0.061 x (Np/2-1)	0.061 x (Np/2-1)	1.4 + (0.090 x Np)
TS F12	117	287	63	234	4.4 + (2.34 x Np)	0.063 x (Np/2-1)	0.063 x (Np/2-1)	1.7 + (0.116 x Np)
TS F15	72	465	40	432	4.3 + (2.24 x Np)	0.063 x (Np/2-1)	0.063 x (Np/2-1)	1.3 + (0.106 x Np)
TS F16	119	376	63	320	4.0 + (2.24 x Np)	0.082 x (Np/2-1)	0.082 x (Np/2-1)	1.5 + (0.114 x Np)
TS F25T	119	526	72	479	4.0 + (2.24 x Np)	0.111 x (Np/2-1)	0.111 x (Np/2-1)	2.1 + (0.170 x Np)
TS F28	119	526	63	470	4.0 + (2.24 x Np)	0.111 x (Np/2-1)	0.111 x (Np/2-1)	2.1 + (0.170 x Np)
TS F35	243	393	174	324	8.0 + (2.34 x Np)	0.179 x (Np/2-1)	0.179 x (Np/2-1)	6.7 + (0.336 x Np)
TS F50	243	525	159	441	12.0 + (2.34 x Np)	0.242 x (Np/2-1)	0.242 x (Np/2-1)	15.5 + (0.43 x Np)
TS F56	243	525	148	430	14.0 + (2.44 x Np)	0.210 x (Np/2-1)	0.297 x (Np/2)	16.0 + (0.431 x Np)
TS F120T	243	525	174	456	10.0 + (2.29 x Np)	0.241 x (Np/2-1)	0.241 x (Np/2-1)	10.0 + (0.374 x Np)
TS F27	304	694	179	567	22.0 + (2.29 x Np)	0.405 x (Np/2-1)	0.405 x (Np/2-1)	29.0 + (0.62 x Np)

CA-HVAC Thermal Supplies reserves the right to modify, without notice or obligation, the technical and constructive features of every product mentioned in this work.